

ASSA Cam Lock 70

Master Key System



Application

ASSA cam lock 7670, 6170 and 670 is a cylinder lock for installation in cabinet doors, which can be implemented in a master key system together with other cylinder shapes. This solution add convenience to many installations since this gives the user possibility to open both entrance doors, office doors and for instance a postal locker by using only one key. Other areas where cam locks are perfect to install are electrical cabinets, recreation areas, schools and storage facilities in shops.

Function

ASSA cam lock is fitted into cabinet doors and will be locked by a catch that is operated by the key. ASSA cam lock is easily an adjustable for door thickness up to 23 mm.

ASSA cam locks are aviable in different security levels depending on the need for the user;

- Twin Global 7670
- Twin PRO 6170
- 6-pin 670

Features

Catches must be ordered separately. For alternative designs of catches contact your local ASSA distributor.

Cylindering helps to build up a distance in a thin door and support the installation.

Nail plate helps to support installation so that the cylinder will not turn when installed in the door.

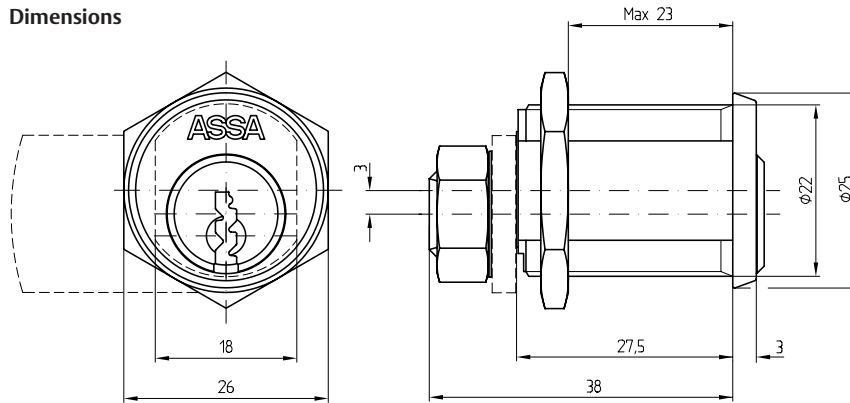
ASSA[®]

ASSA ABLOY

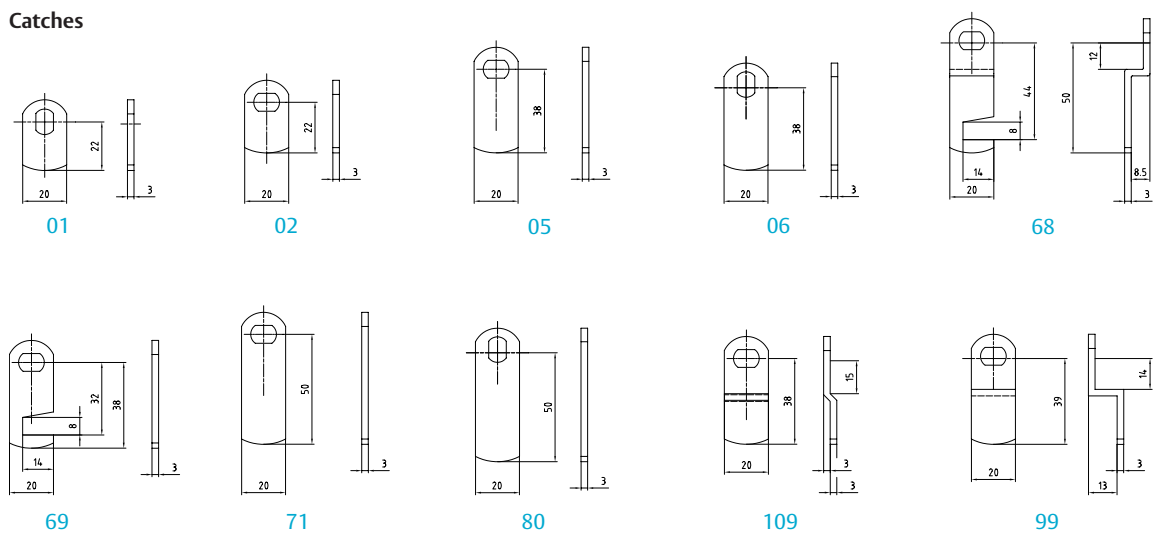
ASSA Cam Lock 70

Master Key System

Dimensions



Catches



ASSA[®]

ASSA ABLOY

ASSA ABLOY, the global leader in door opening solutions, dedicated to satisfying end-user needs for security, safety and convenience.

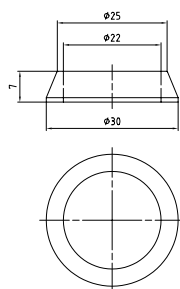
ASSA AB
P.O. Box 371
SE-631 05 Eskilstuna
Sweden

phone +46 (0)16 17 70 00
fax +46 (0)16 17 72 10

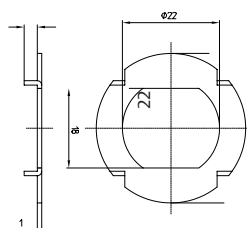
Customer support:
phone +46 (0)771 640 640
fax +46 (0)16 17 73 72
e-mail: helpdesk@assa.se

www.assa.se

Cylinder ring



Nail plate



Door preparation

