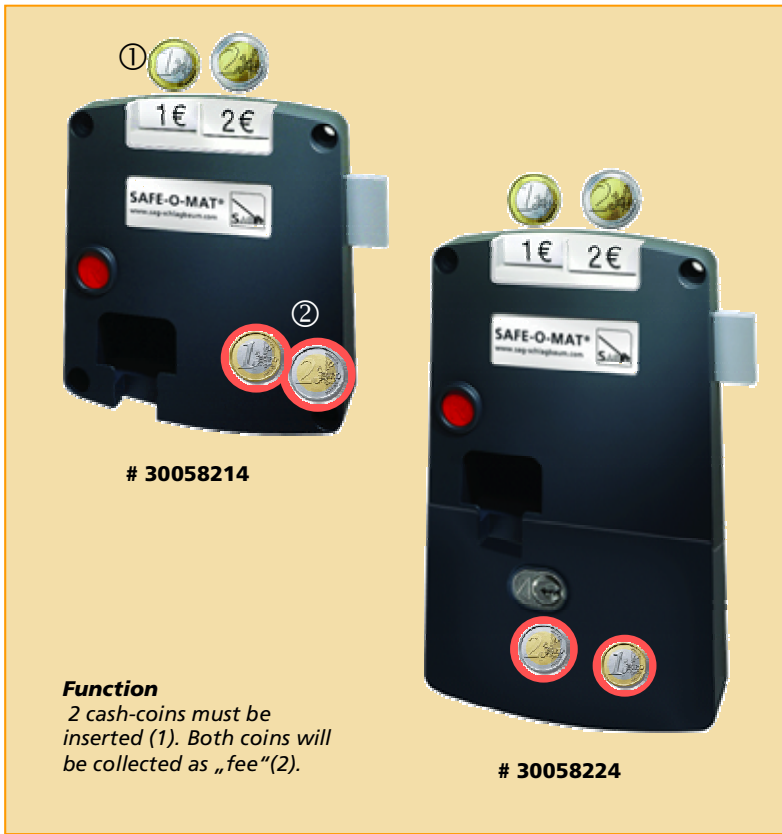


More Income / Profit:

## SAFE-O-MAT® *twin-coin* Coin Collect Lock with 2-coin-insertion



### Collect 2 coins per Locker operation

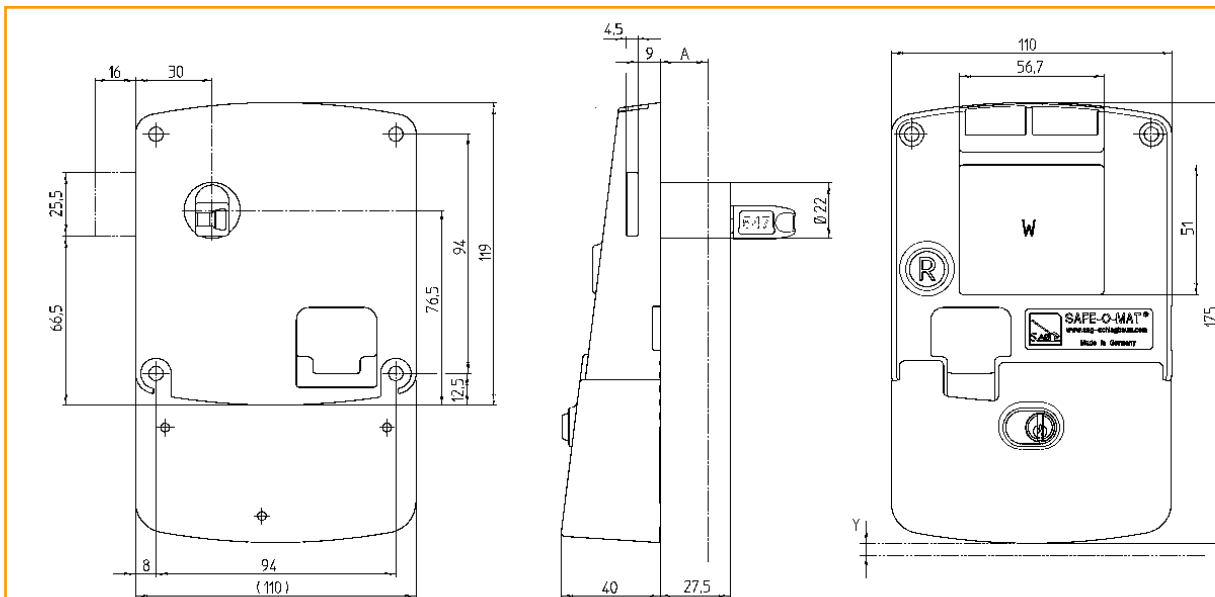
A cash amount higher than e.g. £2.00 or 2.00 was until now impossible in a self service locker  
With the SAFE-O-MAT® *twin-coin* Coin Collect Lock this is now available  
You MUST insert 2 coins which can lead to cash amount up to i.e. £4.00.

### Higher cash amounts for higher profit!

- **Higher Fees**  
SAFE-O-MAT® Coin Collect Lock with 2-coin-insertion makes charging higher fees possible
- **For each requirement the right cash box solution**  
With the **integrated compact cash box** ideally suited to smaller lockers- or safes.  
Easily to open via a special tool. This model is also suitable for occasional locker usage or when the cash box will be cleared more often.  
With **large-size cash box** suitable for more frequent locker use or less frequent cash box clearing.  
The cash box is secured by a cylinder.

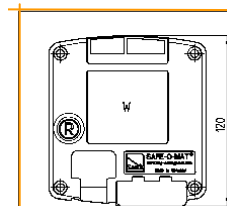
## SAFE-O-MAT® *twin-coin* Coin Collect Lock / obligatory insertion of two coins

### Sketch



- Right handed version = above drawing  
Left handed version = reflected
- Recommended diameter of cylinder hole: Ø23mm
- Fastening material, e.g. flat head screw M5x20 DIN 996
- Installation instructions on request

- A** = Maximum door thickness 26 mm
- W** = Space for publicity
- Y** = Free space for opening of cashbox 5 mm



### PROMAX-Cylinder-Control-Function for visible Emergency Openings

If a user key is lost the Promax Control key will cause the cylinder to be ejected. The cylinder can only be reinserted with the correct user key

- Protects staff from unjustified suspicions
- Protects the management from assumption of liability
- Protects the user of the locker from hidden thefts

### Quick Cylinder Exchange

In case of key loss the cylinders can be exchanged for new ones within seconds and without any additional tools.

### Fast help in case of manipulation attempts

Cylinder Key Way and Coin Key Way ensure a fast removal of small parts or incorrect coins.

### Quality for a lifetime

- SAFE-O-MAT® *twin-coin* locks and keys are completely **non-corrosive**.
- The user key is protected from breakages by a special plastic key handle which avoids injuries and damage to other equipment.

### Efficient Key-Logistics

- Number plates from the set can be easily clipped into the prepared key handle without additional tools.
- High flexibility of the numbering and organisation of spare keys.

